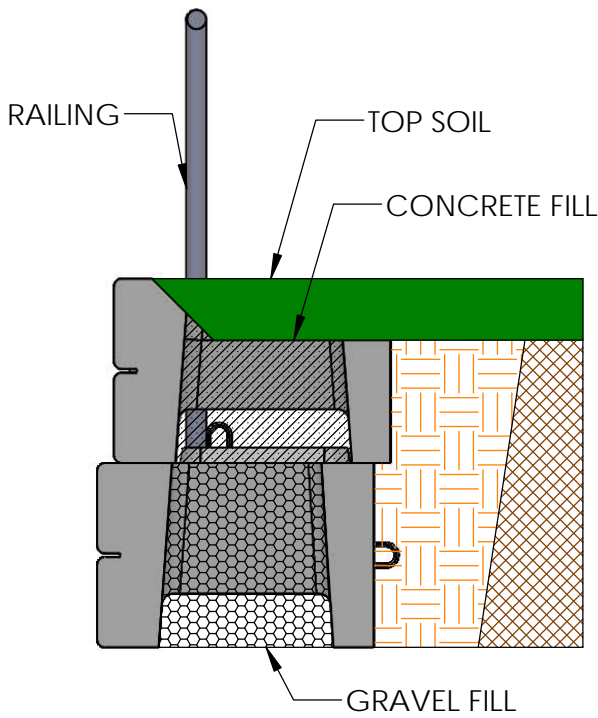
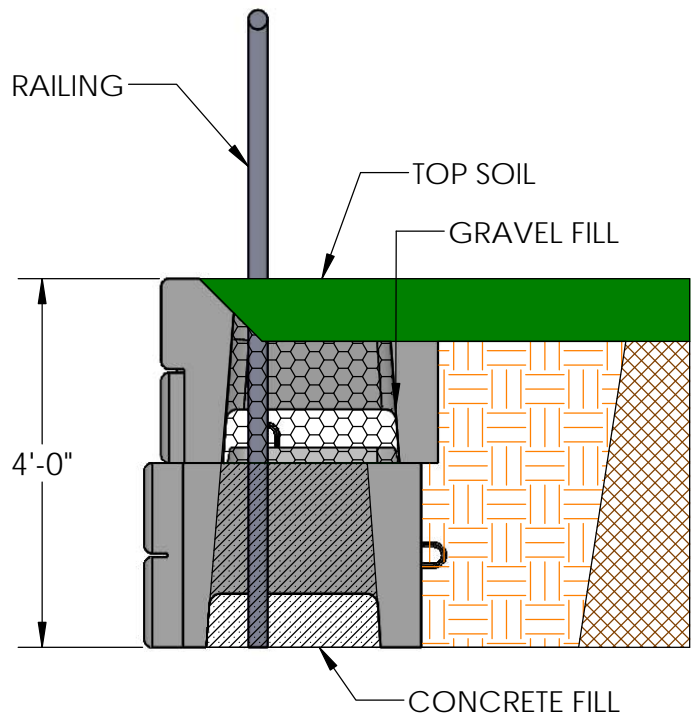


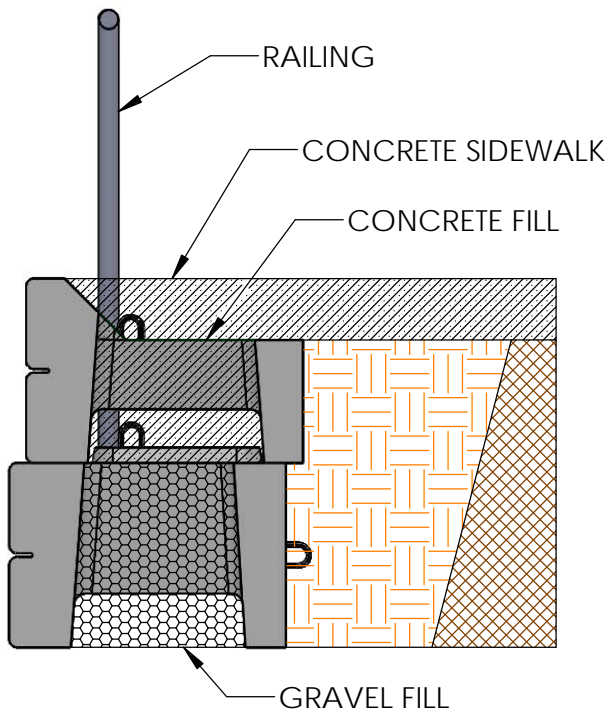
RAILING GROUDED IN TOP COURSE



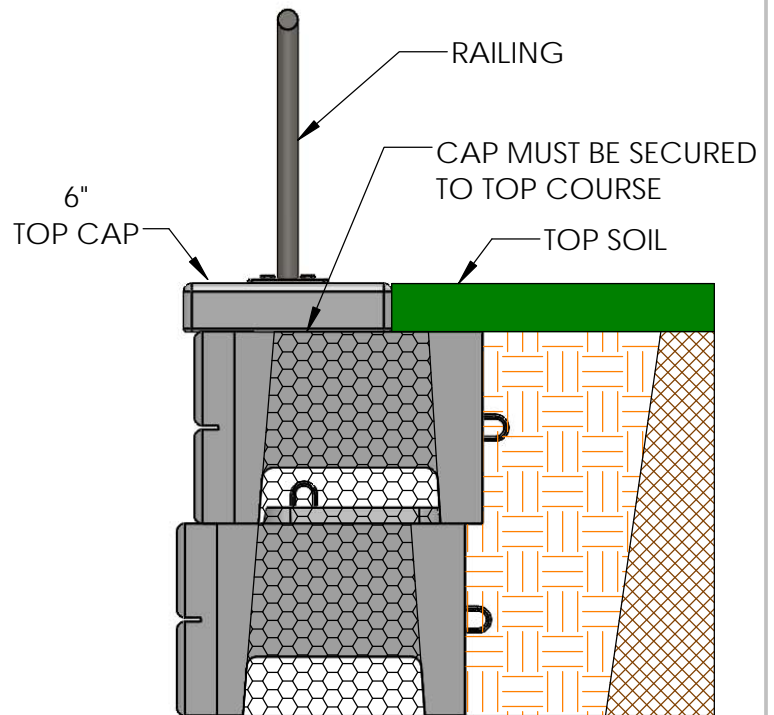
RAILING GROUDED IN 2ND COURSE



RAILING ON CONCRETE SIDEWALK



RAILING ON 6" TOP CAP



DRAWN BY
R FONTANESI

DATE
1/31/2018

16500 SOUTH 500 WEST
BLUFFDALE, UTAH 84065
PHONE: (801) 571-2028

TITLE:
RAILING OPTIONS DETAIL

DWG NO.
F-04

SCALE: 1: 30

SHEET 1 OF 1