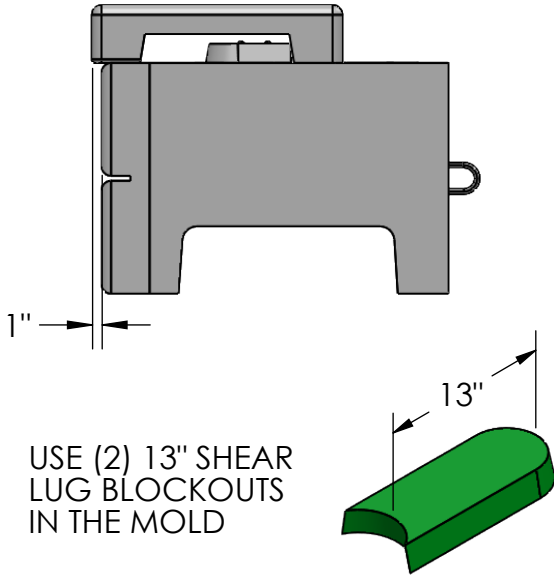
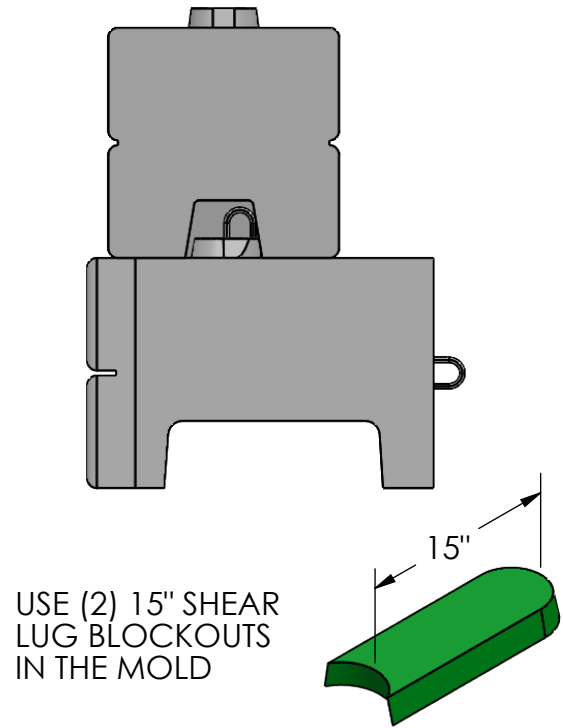


# SHEAR LUG MODIFICATION GUIDE

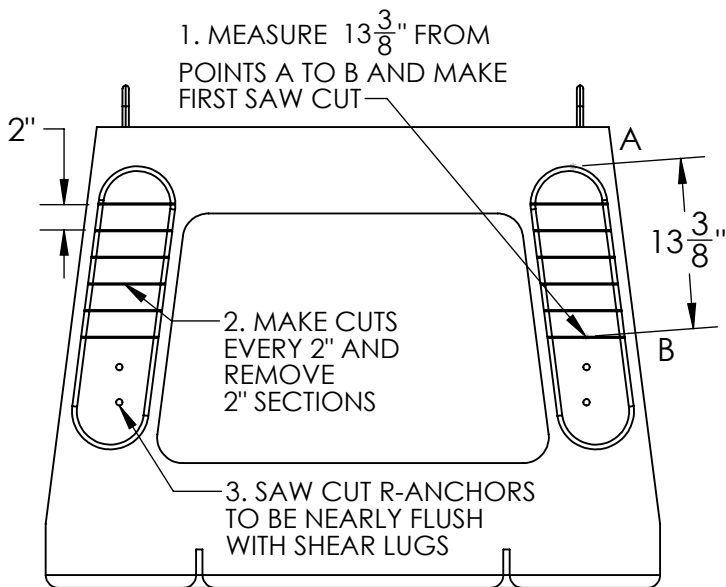
## FOR TOP CAPS:



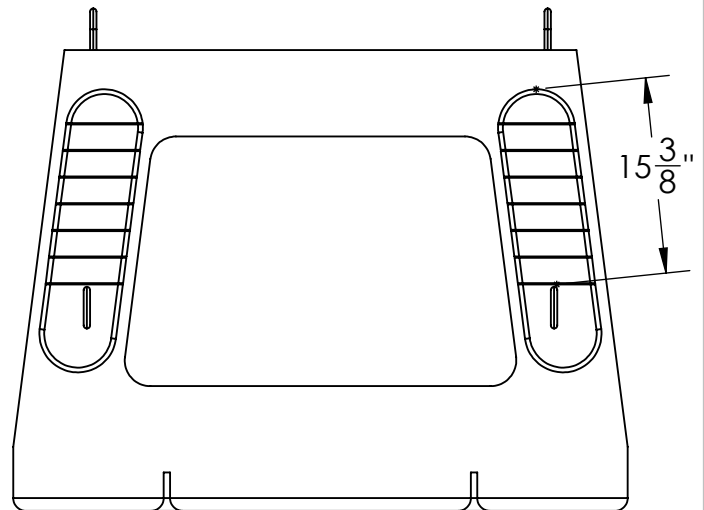
## FOR 2&3 SIDED BLOCKS:



## *FOR ON-SITE CUTS:*



## *FOR ON-SITE CUTS:*



|             |           |
|-------------|-----------|
| DRAWN BY    | DATE      |
| RYAN STUCKI | 7/19/2019 |

16500 SOUTH 500 WEST  
BLUFFDALE, UTAH 84065  
PHONE: (801) 571-2028

TITLE: SHEAR LUG MODIFICATION

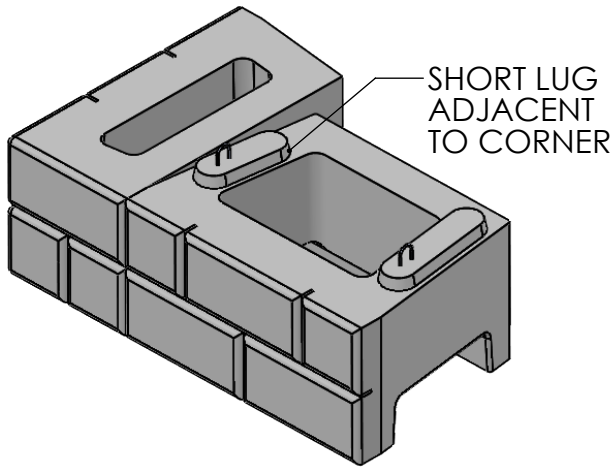
DWG NO. WD-31

SCALE: NA

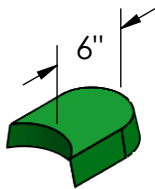
SHEET 1 OF 2

# SHEAR LUG MODIFICATION GUIDE

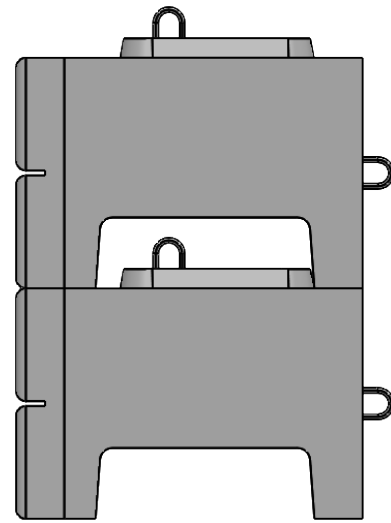
## SHORT LUG FOR CORNERS:



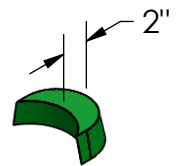
USE (1) 6" SHEAR LUG BLOCKOUT IN THE MOLD



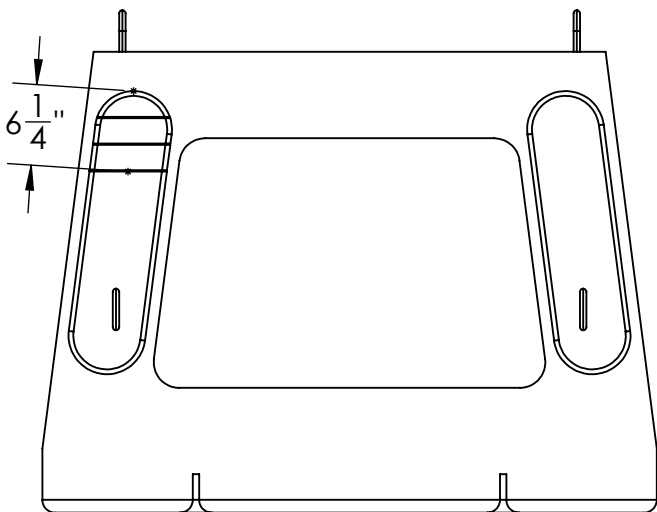
## FOR ZERO BATTER:



USE (2) 2" SHEAR LUG BLOCKOUTS IN THE MOLD

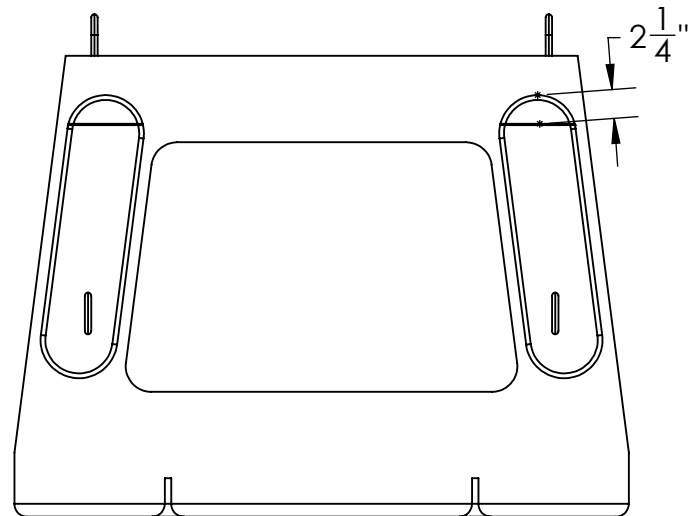


## *FOR ON-SITE CUTS: (SEE PREVIOUS PAGE)*



NOTE: ONLY ONE SHEAR LUG IS SHORTENED

## *FOR ON-SITE CUTS:*



|             |           |
|-------------|-----------|
| DRAWN BY    | DATE      |
| RYAN STUCKI | 7/19/2019 |

16500 SOUTH 500 WEST  
BLUFFDALE, UTAH 84065  
PHONE: (801) 571-2028

|        |                        |
|--------|------------------------|
| TITLE: | SHEAR LUG MODIFICATION |
|--------|------------------------|

|         |       |
|---------|-------|
| DWG NO. | WD-31 |
|---------|-------|

SCALE: NA

SHEET 2 OF 2